

# Diaphragm Valves • SDVFC Series

## SDVFC Series (Female UCR Fitting)

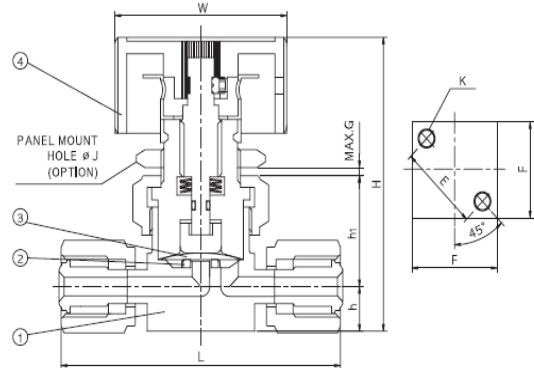


### Specification

End Connection : Female UCR Fitting  
 Max. Operating Temperature : -23°C(-10°F) ~ 65°C(151°F)  
 Working Pressure : 250psi (18bar)

### Materials of Construction

No.	Description	Material
1	Body	SUS316L Single Melt(VOD)
		SUS316L Double Melt(VIM-VAR)
		SUS304
2	Seat	PCTFE
3	Diaphragm	Ni-Co Alloy
4	Handle	ALUMINUM



### Table of Dimension

Unit : mm

Part No.	Applicable Tube		H	h1	h	L	W	F	K	MAX G	E
	Nom. Size	O.D.									
SDVFC-04P	1/4	6.35	67.0	25.0	11.0	78.0	44.0	28.0	M5	4.0	17.0
SDVFC-06P	3/8	9.53	81.0	31.0	16.0	104	44.0	37	M5	4.0	30.0
SDVFC-08P	1/2	12.70	81.0	31.0	16.0	104	44.0	37	M5	4.0	30.0

Note : Dimensions are reference only, subject to change without prior notice.