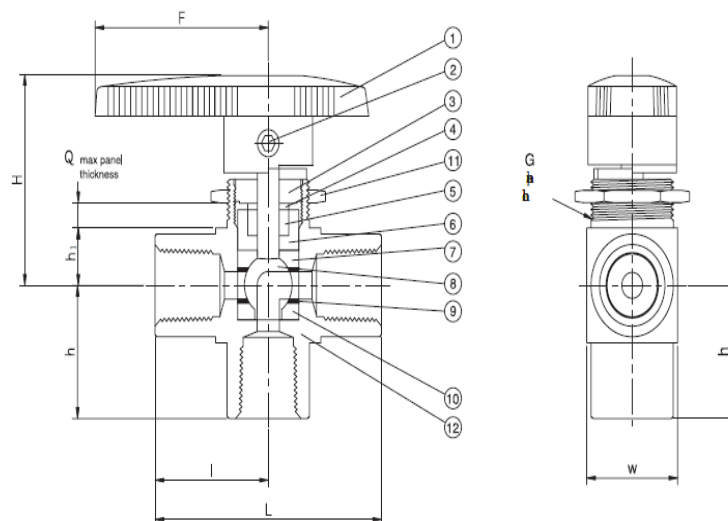


Ball Valves · SBCVU/SBCVF Series



SBCVU, SBCVF Series



Materials of Construction

No.	Description	316SS Valves	No.	Description	316SS Valves
1	Handle	Nylon	7	Upper Packing	PTFE
2	Set Screw	Steel	8	Ball Stem	316SS
3	Packing Bolt	316SS	9	Side Disk	316SS
4	Upper Gland	316SS	10	Lower Packing	PTFE
5	Bushing	PTFE	11	Panel Nut	304SS
6	Lower Gland	316SS	12	Body	316SS

Table of Dimension

SBCVU Series

Unit : mm

Part No.	Applicable Tube		Orifice	Cv	L	I	h	h1	H	G	Q	W	F
	Nom size	O.D.											
04-SBCVU	1/4	6.35	4.8	0.9	60.4	30.2	29.7	11.1	39.6	19.8	4.8	19.8	38.8
06-SBCVU	3/8	9.52	4.8	0.8	60.4	30.2	29.7	11.1	39.6	19.8	4.8	19.8	38.8
08-SBCVU	1/2	12.7	10.3	4.6	100.0	50.0	50.0	17.5	61.9	38.1	9.4	38.1	76.2

SBCVF Series

Unit : mm

Part No.	P (NPT)	Orifice	Cv	L	I	h	h1	H	G	Q	W	F
SBCVF-04N	1/4	4.8	0.9	52.3	26.2	26.2	11.1	39.6	19.8	4.8	19.8	38.8
SBCVF-06N	3/8	10.3	3.5	79.2	39.6	39.6	17.5	61.9	38.1	9.4	38.1	76.2
SBCVF-08N	1/2	10.3	3.5	79.2	39.6	39.6	17.5	61.9	38.1	9.4	38.1	76.2

Male ISO Tapered Threads are available for all SBCVF Series. Add "R" as a suffix instead of "N"

Note : Dimensions are reference only, subject to change without prior notice.