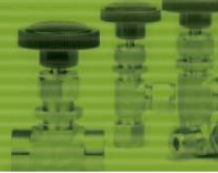
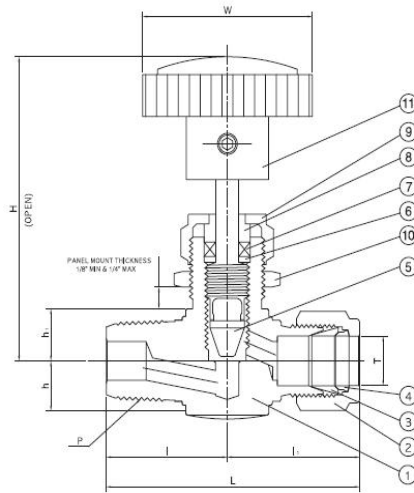


# Needle Valves • SNVMU Series



## Forged Integral Bonnet Needle Valves

**SNVMU Series** (Male Thread to Uni-Lok Tube Fitting)



### Specification

End Connection : Male NPT or PT(ISO 7/1) to Uni-Lok Tube Fitting  
 Max. Operating Temperature : -53°C (-65°F) ~ +232°C (+450°F)  
 Max. Operating Pressure : ASTM A182 F316 - 5000psi  
 Brass - 3000psi

### Materials of Construction

No.	Description	316SS Valve	Brass Valve
1	Body	316SS	Brass
2	Nut	316SS	Brass
3	Front Ferrule	316SS	Brass
4	Back Ferrule	316SS	Brass
5	Stem	316SS	Brass
6	Packing Ring	316SS	Brass
7	Packing	PTFE	PTFE
8	Packing Gland	316SS	Brass
9	Packing Nut	316SS	Brass
10	Panel Nut	316SS	Brass
11	Handle	Standard Round(PC) Alternative Bar(316SS)	Round(PC) Bar(Brass)

### Table of Dimension

Unit : mm

Part No.	P (NPT)	Applicable Tube		Orifice	Cv	L	I	I1	h	h1	H (Open)	W	Panel Hole Drill Size
		Nom. Size	O.D.										
SNVMU-04N-04	1/4	1/4	6.35	4.4	0.37	53.8	25.0	28.8	9.5	11.0	59.0	35.0	13.5
SNVMU-06N-06	3/8	3/8	9.52	6.4	0.73	62.2	29.0	33.2	12.7	12.7	71.0	47.0	20.0
SNVMU-06N-08	3/8	1/2	12.70	6.4	0.73	65.0	29.0	36.0	12.7	12.7	71.0	47.0	20.0

Male ISO Tapered Threads are available for all SNVMU Series. Add "R" as a suffix instead of "N"  
 Note : Dimensions are reference only, subject to change without prior notice.