

Needle Valves • SNVU Series



Forged Integral Bonnet Needle Valves

SNVU Series (Uni-Lok Tube Fitting)

Specification

End Connection : Uni-Lok Tube Fitting
 Max. Operating Temperature : -53°C (-65°F) ~ +232°C (+450°F)
 Max. Operating Pressure : ASTM A182 F316 - 5000psi
 Brass - 3000psi



Materials of Construction

No.	Description	316SS Valve	Brass Valve
1	Body	316SS	Brass
2	Nut	316SS	Brass
3	Front Ferrule	316SS	Brass
4	Back Ferrule	316SS	Brass
5	Stem	316SS	Brass
6	Packing Ring	316SS	Brass
7	Packing	PTFE	PTFE
8	Packing Gland	316SS	Brass
9	Packing Nut	316SS	Brass
10	Panel Nut	316SS	Brass
11	Handle	Standard	Round(PC)
		Alternative	Bar(316SS)

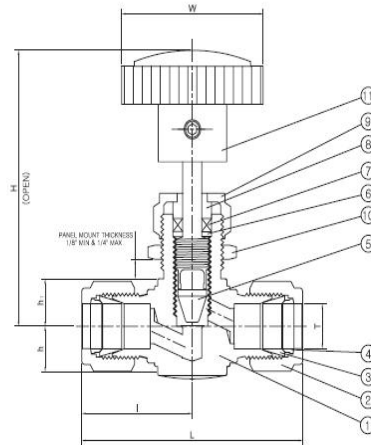


Table of Dimension

Unit : mm

Part No.	Applicable Tube		Orifice	Cv	L	I	h	h1	H (Open)	W	Panel Hole Drill Size
	Nom.Size	O.D									
04-SNVU	1/4	6.35	4.4	0.37	57.6	28.8	9.5	11.0	59.0	35.0	13.5
06-SNVU	3/8	9.52	6.4	0.73	66.4	33.2	12.7	12.7	71.0	47.0	20.0
08-SNVU	1/2	12.70	6.4	0.73	72.0	36.0	12.7	12.7	71.0	47.0	20.0
12-SNVU	3/4	19.05	9.5	1.80	96.5	48.3	19.0	19.0	99.0	56.0	23.0
M06-SNVU	6	6	4.4	0.37	57.6	28.8	9.5	11.0	59.0	35.0	13.5
M08-SNVU	8	8	4.4	0.37	59.2	29.6	9.5	11.0	59.0	35.0	13.5
M10-SNVU	10	10	6.4	0.73	66.4	33.2	12.7	12.7	71.0	47.0	20.0
M12-SNVU	12	12	6.4	0.73	72.0	36.0	12.7	12.7	71.0	47.0	20.0
M20-SNVU	20	20	9.5	1.80	96.5	48.3	19.0	19.0	99.0	56.0	23.0

Note : Dimensions are reference only, subject to change without prior notice.